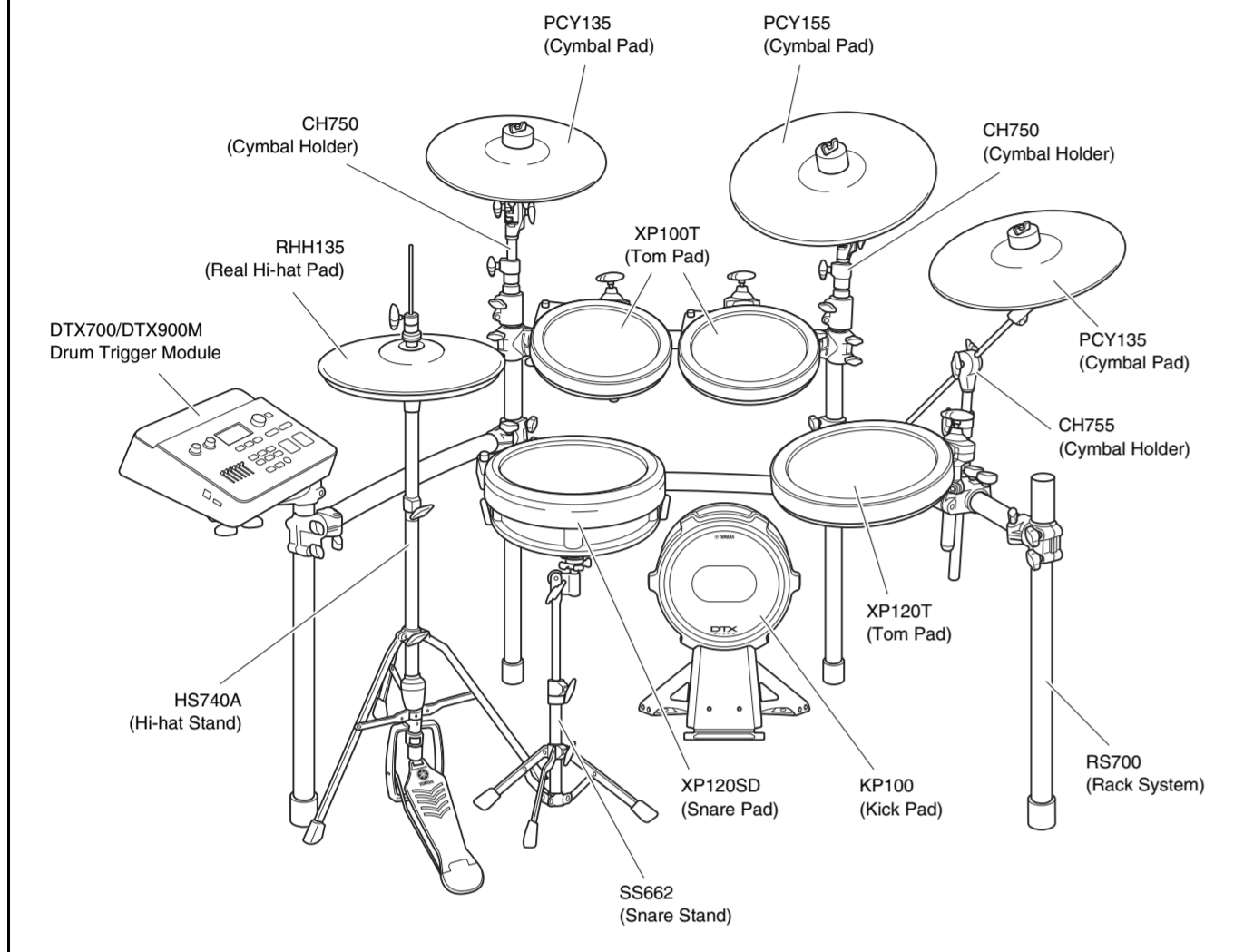




This manual describes the standard assembly procedure for the DTX760K/DTX920K electronic drum kits. It covers assembly and wiring of the kit as shown below. When you have completed all of the steps described, you will be ready to turn on the drum trigger module and start playing. Illustrations show the DTX700 drum trigger module.

Example of standard assembly



IMPORTANT

- For assembly, you will require four individual packages – an RS700 Rack System, a DTP903 Pad Set, a DTP904 Pad Set, and a DTX700/DTX900M Drum Trigger Module.
- This manual describes the process of assembling a drum-pad set and drum trigger module to an already assembled RS700 Electronic Drum Rack. Before starting the steps below, therefore, be sure to assemble your RS700 as described in the Owner's Manual that came with it.

NOTICE

Before starting assembly, lay a drum mat (sold separately) on the floor. Alternatively, you can place cardboard from the drum kit packaging or the like on the floor to prevent it from being scratched. This is particularly important when using the HS740A Hi-hat Stand and KP100 Kick Pad.

1

Assemble the RS700 Electronic Drum Rack.

For instructions on how to assemble the RS700 Electronic Drum Rack, refer to the Owner's Manual that came with it.

2

Open the boxes to reveal their contents.

Package 1: DTP903

- PCY135 Cymbal Pad (x2)
- PCY155 Cymbal Pad (x1)
- RHH135 Real Hi-hat Pad (x1)
- Stand base for the RHH135 (x1)
- CH750 Cymbal Holder (x2)
- KP100 Kick Pad (x1)
- SS662 Snare Stand (x1)
- 2.5m stereo phone cables (x4)
- KP100 Owner's Manual (x1)
- PCY100/PCY135/PCY155 Owner's Manual (x1)
- RHH135 Owner's Manual (x1)
- Hi-hat clutch for the RHH135 (x1)
- Cable band for the RHH135 (x1)
- Stoppers for the PCY135 and PCY155 (x3)
- Felts for the PCY135 and PCY155 (x3)
- Tuning key (x1)

Package 2: DTP904

- XP120SD Snare Pad (x1)
- XP100T Tom Pad (x2)
- XP120T Tom Pad (x1)
- Clamp bolts (x3)
- CH755 Cymbal Holder (x1)
- HS740A Hi-hat Stand (x1)
- XP100T/100SD/120T/120SD Owner's Manual (x1)
- Assembly Manual (this pamphlet)

Package 3: DTX700/DTX900M

- DTX700/DTX900M Drum Trigger Module (x1)
- Module holder (x1)
- Module holder screw (x4)
- AC power adaptor* (x1)
 - * May not be included depending on your particular area. Please check with your Yamaha dealer.
- DTX700/DTX900M Owner's Manual (x1)
- DTX700/DTX900M Data List (x1)

Safety Precautions Please read carefully before proceeding.

The purpose of the precautions detailed below is to ensure that this electronic drum kit can be used safely without fear of injury or property damage. As a means of indicating the severity and immediacy of any risk of injury or property damage resulting from incorrect operation, these precautions are classified as either WARNING or CAUTION. The instructions displayed together with these precautions are extremely important in terms of ensuring safety, and therefore, they should be fully observed.

- * After reading this Assembly Manual, ensure that it is kept in a safe, convenient location for future reference.
- * Be sure to also read the Assembly Manuals and/or Owner's Manuals that came with your pads and rack.

WARNING	Failure to observe the precautions described below can result in serious injury or even death.
•	Young children using this electronic drum kit should be supervised by a guardian to eliminate any possibility of injury.
•	Holders for cymbal and tom pads have sharp tips. In order to avoid injury, therefore, you should take special care whenever handling these components.
•	The anti-slip stoppers on kick pads and foot pedals have sharp tips. In order to avoid injury, therefore, you should take special care whenever handling these components.
•	Be sure to securely tighten nuts and other fasteners when setting up this electronic drum kit. In addition, be sure to proceed slowly when loosening nuts. If this precaution is not observed, pads may fall off or the rack may collapse or fall over, possibly causing injury.
•	Do not setup this electronic drum kit on a slope, on an unstable platform, or on any other unsafe surface. If this precaution is not observed, it may topple over or fall, possibly causing injury.
•	Whenever setting up this electronic drum kit, ensure that cables and the like are arranged safely. If someone were to trip on a cable, the kit could topple over and cause injury.
•	Under no circumstances should this electronic drum kit be disassembled or customized. Failure to observe this precaution can result in injury or malfunction.
•	Do not sit or stand on the rack. Doing so could cause it to fall over or break, possibly causing injury.

CAUTION	Failure to observe the precautions described below can result in injury and/or property damage.
•	Mind your fingers when adjusting clamps. They can easily be crushed if care is not taken during this operation.
•	Be careful with the tips of supports, arms, screws, and the like. Fingers can easily be injured by sharp tips if these components are not handled carefully.
•	Do not place hands or feet under a kick pad or foot pedal. Doing so could result in injury.
•	Do not use the electronic drum kit's rack to hold acoustic drums. Doing so could cause clamps to break and the drums to fall off, which in turn could lead to injury.

NOTICE: Usage Precautions

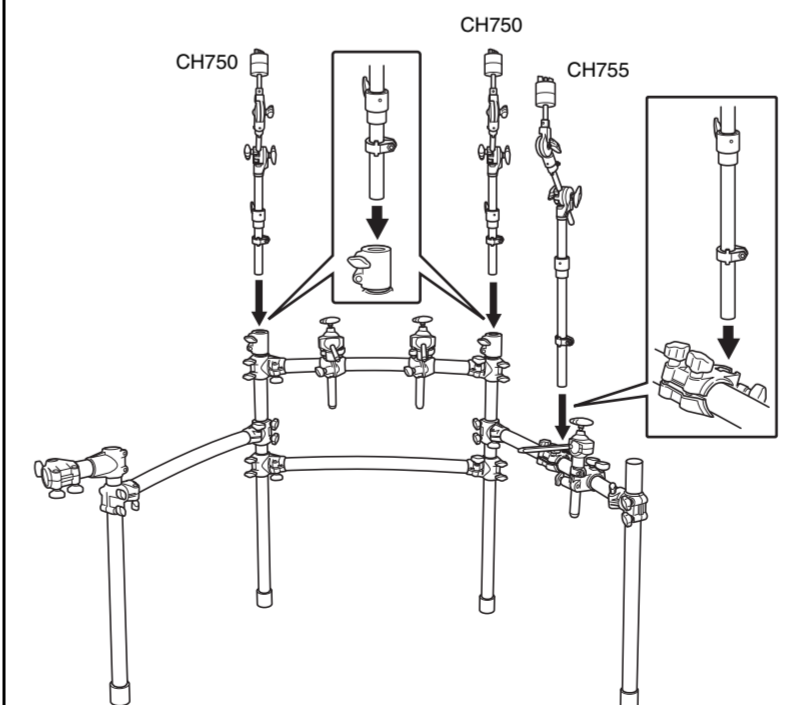
- When connecting and disconnecting cables, be sure to hold the plug and not the cable itself. In addition, avoid placing heavy items on top of cables and do not allow them to touch sharp edges. Failure to avoid these precautions can lead to cable breakage and disconnection.
- Do not climb onto the electronic drum kit and avoid placing heavy objects on it. Failure to observe this precaution can result in malfunction.
- Avoid using or storing the electronic drum kit in very hot locations (i.e., in direct sunlight, in close proximity to a heater, or in a closed vehicle) or in highly humid locations (i.e., in a bathroom or outdoors in wet weather). Failure to observe this precaution can lead to warping, discoloration, malfunction, or breakdown.
- Avoid cleaning the electronic drum kit with organic solvents, paint thinner, or alcohol as these substances can cause warping and discoloration. Instead, we recommend you remove dust using a soft dry cloth or wipe clean using a moist, tightly-wrung cloth. If the electronic drum kit is very dirty, first wipe the dirt away using a cloth moistened with a neutral detergent solution and tightly wrung. Following this, wipe away the detergent solution using a cloth soaked in water and tightly wrung.

3

Assemble the pads and the drum trigger module to the electronic drum rack.

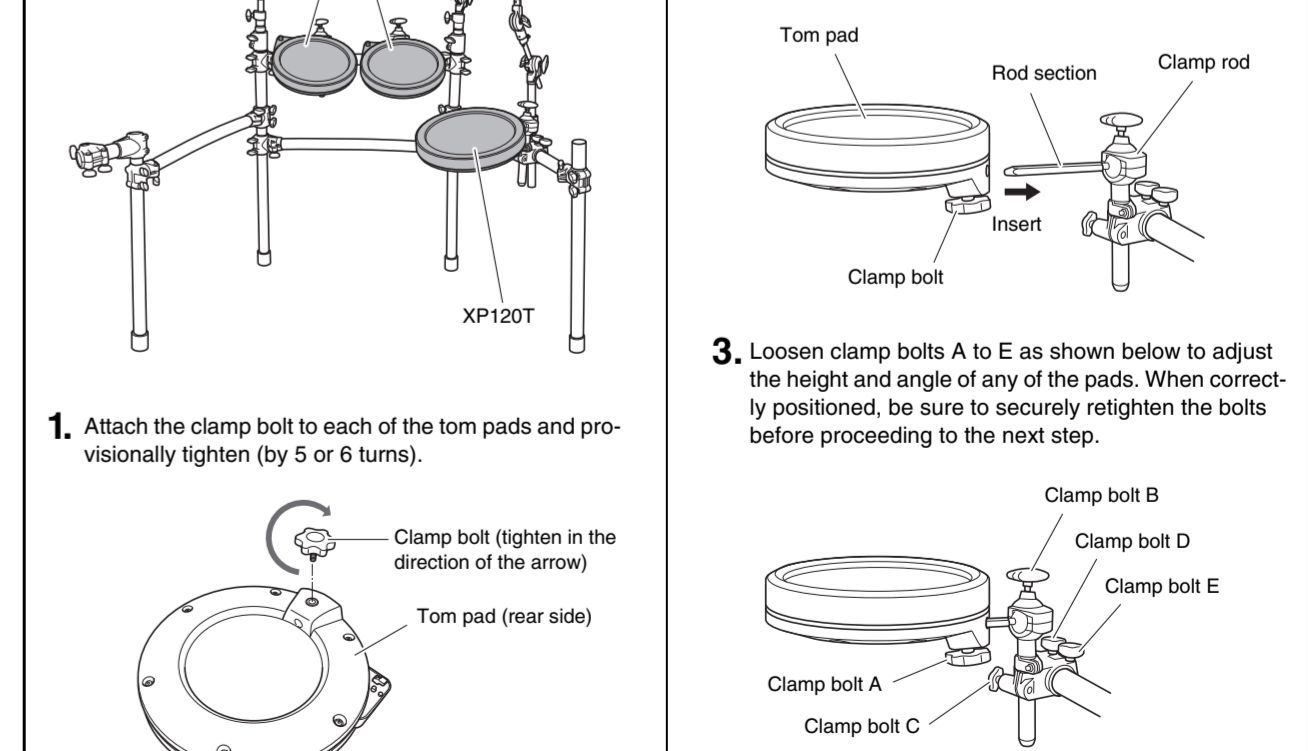
Assembling the cymbal holders

- Assemble the cymbal holders (CH750 x 2, CH755 x 1) on the electronic drum rack as shown below.



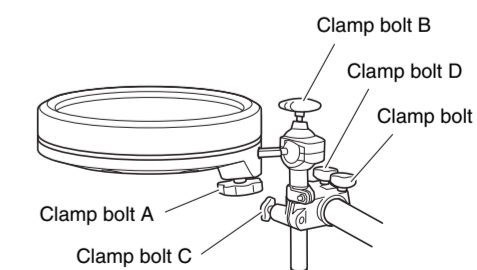
Assembling the tom pads

- Push the tom pads onto the rack's clamp rods. Ensure that the rod section is fully inserted into the each pad's mounting hole, and then tighten the clamp bolt to secure the pad in place.



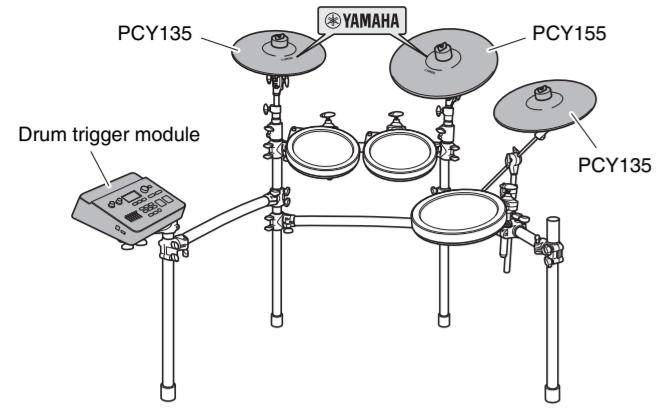
- Attach the clamp bolt to each of the tom pads and provisionally tighten (by 5 or 6 turns).

- Loosen clamp bolts A to E as shown below to adjust the height and angle of any of the pads. When correctly positioned, be sure to securely retighten the bolts before proceeding to the next step.



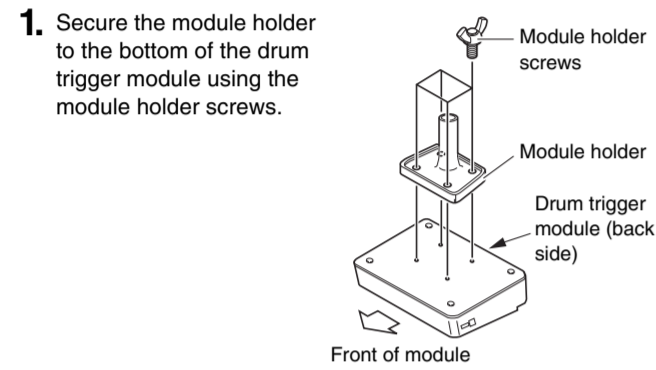
* Specifications and descriptions in this owner's manual are for information purposes only. Yamaha Corp. reserves the right to change or modify products or specifications at any time without prior notice. Since specifications, equipment or options may not be the same in every locale, please check with your Yamaha dealer.

Assembling the drum trigger module and cymbal pads

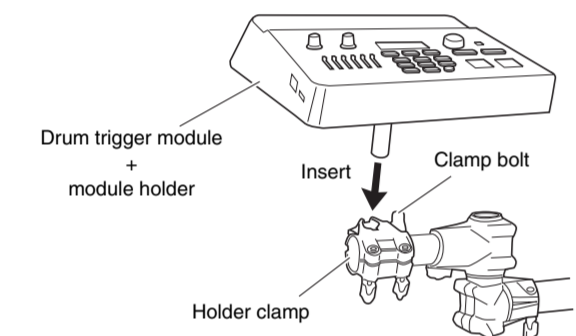


A cymbal pad's built-in sensor is located close to the Yamaha logo found on the top surface. In order to achieve the best performance from your pad, position it such that the area around the logo can be easily struck. (See the figure above.)

Assembling the drum trigger module

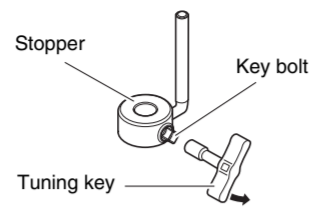


2. Push the module holder into the holder clamp and tighten the clamp bolt to secure it in place.

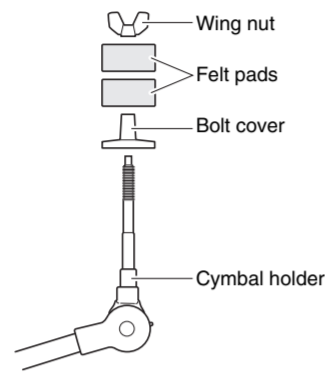


Assembling the cymbal pads

1. Using a tuning key, loosen the stopper's key bolt.



2. Remove the wing nut, the two felt pads, and the bolt cover from the cymbal holder.

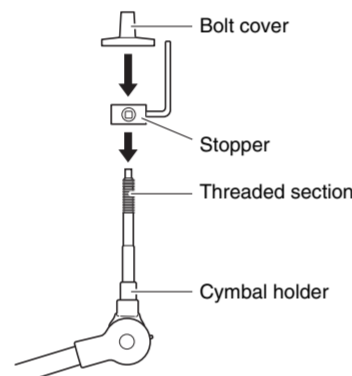


3. Place the stopper on the cymbal holder.

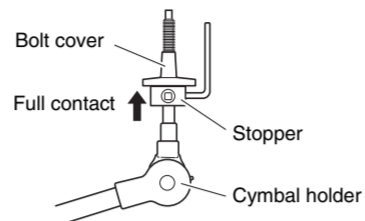
* If the key bolt was not sufficiently loosened in Step 1 above, it may not be possible to pass the stopper over the cymbal holder's shaft. In such a case, loosen the key bolt as much as possible without removing it.

4. Replace the bolt cover.

* Turn the bolt cover to tighten it onto the threaded section and firmly secure it in place.



5. With the stopper making full contact with the bottom surface of the bolt cover as shown below, tighten the stopper's key bolt using the tuning key.



6. Place one of the felt pads removed in Step 2 on the cymbal holder.

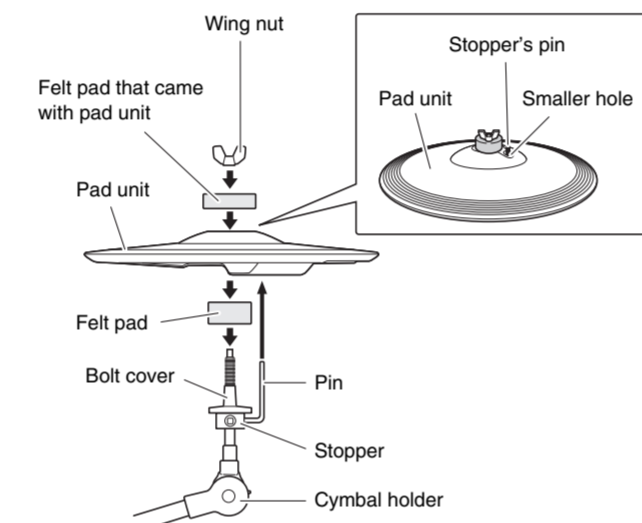
7. Mount the pad on the cymbal stand. Lower the pad into place with the cymbal holder's shaft passing through the central hole. When mounted, the stopper's pin should rest inside the pad's smaller hole.

* If you were to play your cymbal pad without the stopper's pin positioned well inside the smaller hole, the pad could rotate, causing the pin to be pulled out. It is very important, therefore, to ensure that the stopper is secured as shown in Step 5 above.

8. Assemble the felt pad that came with the cymbal pad.

* The second felt pad removed from the cymbal holder in Step 2 above is not required for assembly of your pad unit.

9. Tighten the wing nut to secure the pad unit to the cymbal holder.



4

Arrange the hi-hat stand, the kick pad, and the snare stand as shown in Example of standard assembly on the other side of this sheet.

NOTICE

- Lay a drum mat (sold separately) on the floor underneath the hi-hat stand and the kick pad. Alternatively, you can place cardboard from the drum kit packaging or the like on the floor to prevent it from being scratched.
- If the kick pad comes into contact with the electronic drum rack's center strut, raise the center strut.

5

Connect the pads to the drum trigger module.

As described below, connect the output of each pad to the corresponding trigger input jack on the drum trigger module.

- As shown at right, connect the pads with the trigger input jacks (SNARE – KICK and HI-HAT CONTROL jack) of the drum trigger module by using the stereo phone cables.
 - Insert the straight plugs of the cable into the trigger input jacks of the drum trigger module, then insert the L-shaped plugs of the cables into each corresponding pad.

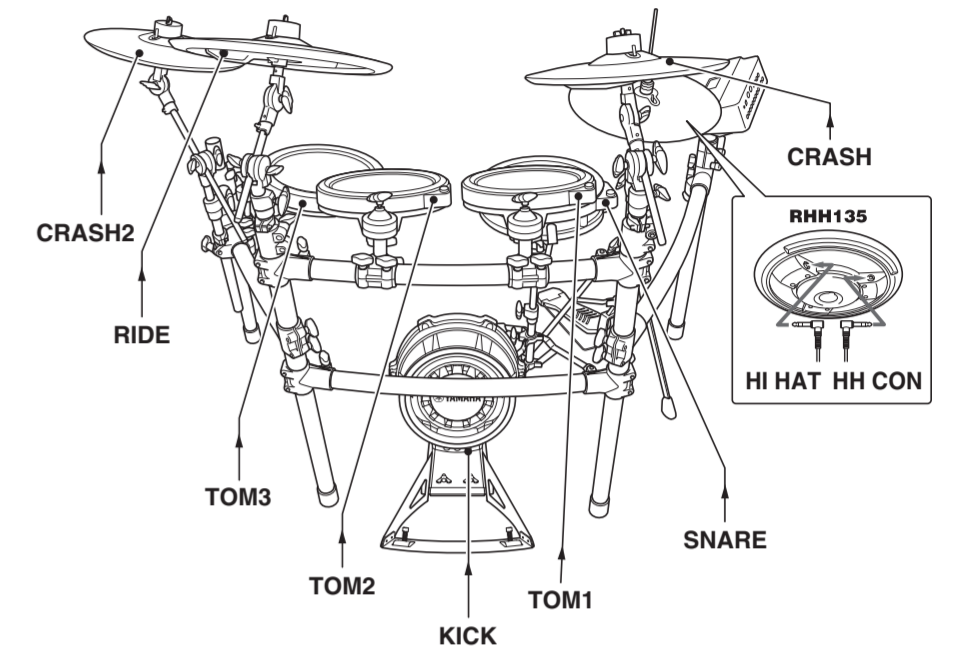
Pads	DTX700 jack names	DTX900M jack names
SNARE	① SNARE	① SNARE
TOM1	② TOM1	② TOM1
TOM2	③ TOM2	③ TOM2
TOM3	④ TOM3	④ TOM3 or ⑤ TOM4
RIDE	⑤ RIDE	⑥ RIDE
CRASH	⑥ CRASH1	⑦ CRASH1
CRASH2	⑦ CRASH2	⑧ CRASH2
HI HAT	⑧ HI HAT	⑨ HI HAT
HH CON	HI-HAT CONTROL	HI-HAT CONTROL
KICK	⑨ KICK/⑩	⑩ KICK/⑩

- In the case of snare and tom pads, wrap the cables around the cable clips to prevent them from being pulled out.

NOTICE

Excessive bending can damage the pad cables. Ensure, therefore, that these cables are not bent at an extreme angle when wrapped around the clips.

[Locations of pad jacks]

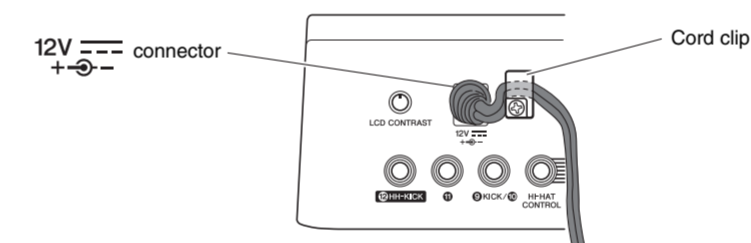


6

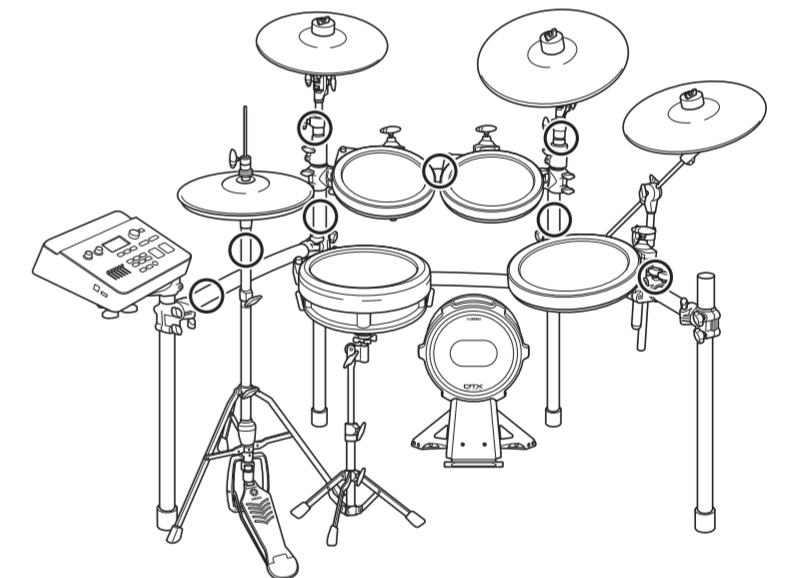
Connect the drum trigger module to a power supply.

- Insert the power adaptor's DC plug into the 12V connector. Hook the power adaptor's cord around the cord clip to secure it in place.

[Drum trigger module's rear panel]

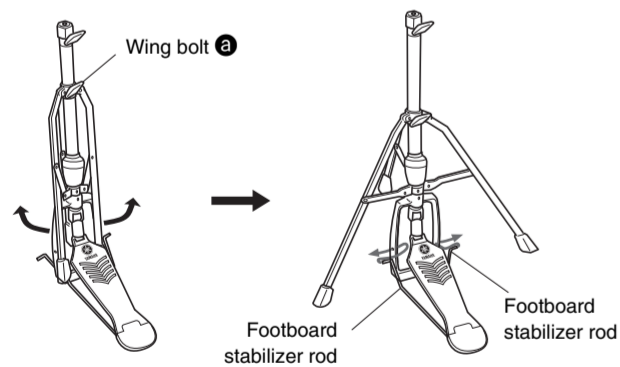


- Using the cable bands, secure the cables to the electronic drum rack at the positions circled in the figure on the right. (○)
- Plug the AC power adaptor into an AC wall socket.



Assembling the hi-hat stand

- If a drum mat (sold separately) is not available, lay a sheet of cardboard on the floor to protect it from being scratched.
- Loosen the hi-hat stand's wing bolt (Ⓔ) in the following figure).
- Open up the three legs as shown below and then retighten the wing bolt a to lock them in place.
- Insert the footboard stabilizer rod into the frame hole as shown below.



5. As shown on the right, loosen the hi-hat clutch's wing bolt (Ⓕ) and remove the hi-hat clutch.

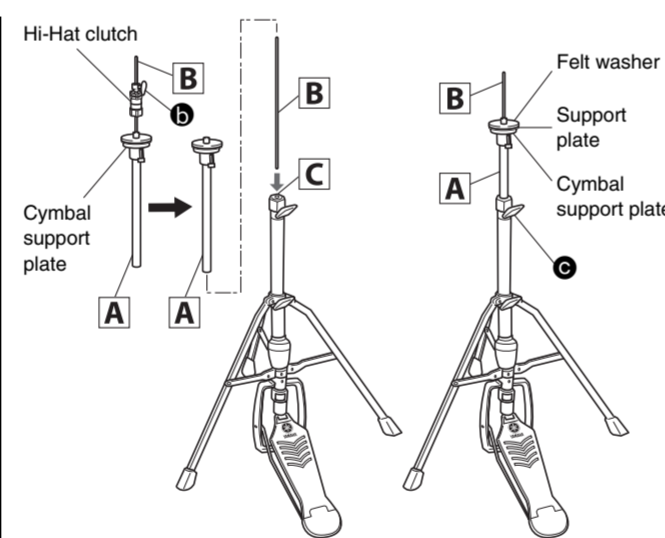
* The hi-hat clutch is not required when assembling the electronic drum kit in the standard fashion described in this manual. Instead, the hi-hat clutch that came with the RHH135 Real Hi-Hat Pad will be used.

6. Remove the hi-hat shaft (B) from the upper tube (A).

7. Insert the hi-hat shaft (B) from Step 6 as far as it will go into the lower tube (C) and screw in the tip.

8. Insert the upper tube (A) over the hi-hat shaft (B) and tighten the wing bolt (Ⓖ) to secure it in place with the cymbal support plate approximately half way between the top of the lower tube (C) and the top of the hi-hat shaft (B).

9. Remove the felt pad and the support plate attached above the cymbal support plate. It is not required when assembling the electronic drum kit in the standard fashion described in this manual.

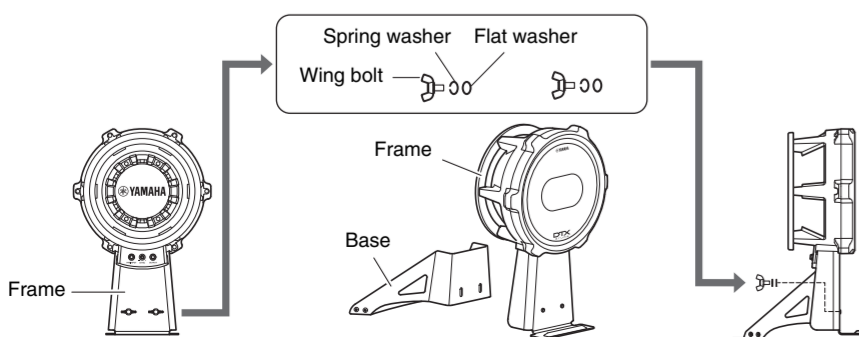


10. Assemble the RHH135 Real Hi-hat Pad.

* For detailed instructions, refer to the Setting Up section in the RHH135 Owner's Manual.

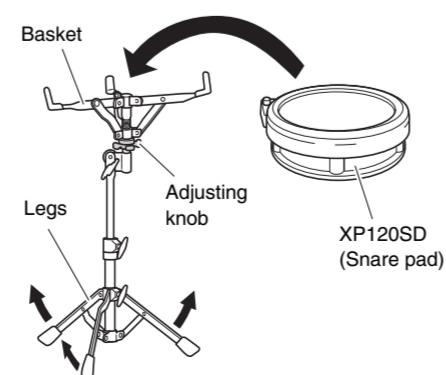
Assembling the kick pad

- If a drum mat (sold separately) is not available, lay a sheet of cardboard on the floor to protect it from being scratched.
- Remove the two wing bolts, spring washers, and flat washers from the kick pad frame, and line up each set nearby in the order of removal.
- Join the base section to the frame as shown below, and then secure it in place by assembling the wing bolts, spring washers, and flat washers removed in the previous step from the base side.



Assembling the Snare Stand and Snare Pad

- Open up the snare stand's legs and stand it up on the floor.
- Open up the snare stand's basket section, lay the XP120SD Snare Pad on it, adjust the basket, and then tighten the adjusting knob to secure the pad and prevent it from moving.



7

Setting up the drum trigger module.

[For DTX760K Owners]

Select the "DTX760K" trigger setup on the DTX700 drum trigger module. (For details on the trigger setup procedure, see "Selecting a Sensitivity for the Entire Kit" from the DTX700 Owner's Manual.) If "DTX760K" is not displayed on the selection screen, please upgrade your DTX700's firmware version. Visit the following web page for information on the latest DTX700 firmware version and to download firmware version upgrades.

<http://download.yamaha.com/>

If you would prefer not to upgrade your firmware version, select the "DTX750K" trigger setup, and then make the following adjustments.

• Kick pad output (LEVEL) adjustment:

Adjust the trigger output to your desired setting by using the KP100 kick pad's level adjustment knob. For details, see "Adjusting the Output Level" from the KP100 Owner's Manual.

• Pad type change for tom pads 1 to 3:

Select "XP120/100 Tom" as the DTX700 pad type. For details, refer to "For pad-related trigger settings (TRIGGER/PAD/PAD TYPE 1/8)" from the DTX700 Reference Manual (pdf).

[For DTX920K Owners]

Select the "DTX920K" trigger setup on the DTX900M drum trigger module. (For details on the trigger setup procedure, see "Selecting the Trigger Setup" from the DTX900M Owner's Manual.) If "DTX920K" is not displayed on the selection screen, please upgrade your DTX900M's firmware version. Visit the following web page for information on the latest DTX900M firmware version and to download firmware version upgrades.

<http://download.yamaha.com/>

If you would prefer not to upgrade your firmware version, select the "DTX950K/900K" trigger setup, and then make the following adjustment.

• Kick pad output (LEVEL) adjustment:

Adjust the trigger output to your desired setting by using the KP100 kick pad's level adjustment knob. For details, see "Adjusting the Output Level" from the KP100 Owner's Manual.

Your electronic drum kit is now ready.

* For instructions on turning on the drum trigger module, producing sounds, and other subsequent steps, please refer to the Owner's Manual that came with the module.